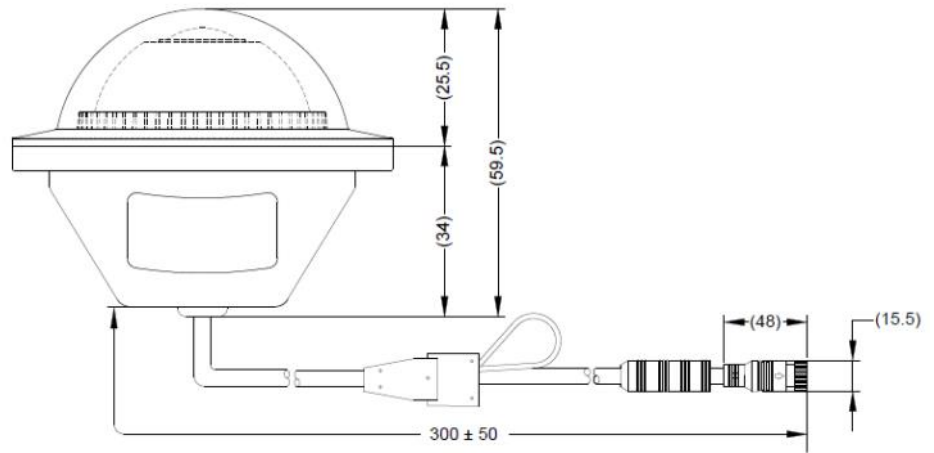
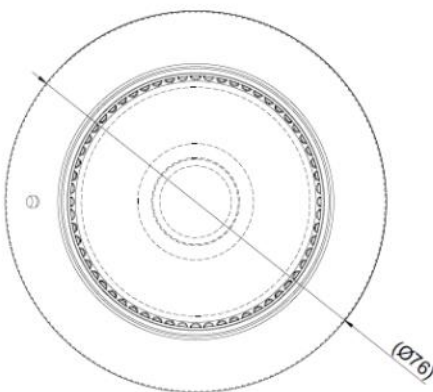


Product Specification



Brigade Model Number:	MD-50(SW)	MD-51(SW)	MD-60(SW)	MD-61(SW)
Brigade Part Number:	5683	5686	5688	5690



Dimensions: mm

Environmental Specifications:

- Shock Rating: 51 G
- Vibration Rating: 10 G
- Camera IP Rating: IP68
- Connector IP Rating: IP67
- Operating Temperature: -30° to +85°C
- Storage Temperature: -40° to +85°C

Approved Standards:

- CE - (EN 55032:2015
EN 55024:2010 + A1:2015)
- FCC - (47 CFR Part 15 Subpart B)
- IC - (ICES -003 Issue 6)
- 'E' Mark - (ECE Regulation 10 Rev 05)
- RoHS
- WEEE

Technical Specifications:

- Operating Voltage: 12 Vdc ± 2 Vdc
- Current Consumption: ≤ 57mA @ 12 Vdc
- Power Consumption: ≤ 1 Watts @ 12 Vdc
- Imaging Devices: CMOS - 1/3" ON-Semi
ISP - Nextchip
- TV System:
 - MD-50(SW) CVBS (PAL)
 - MD-51(SW) CVBS (NTSC)
 - MD-60(SW) AHD 1.0 (720p-25fps)
 - MD-61(SW) AHD 1.0 (720p-30fps)
- Picture Elements: 1280(H) x 960(V)
- Horizontal Visual Resolution:
 - MD-50(SW) / MD-51(SW) 600 TV Lines
 - MD-60(SW) / MD-61(SW) 600 TV Lines
- Signal to Noise Ratio: Max. 44dB

Technical Specifications Continued...

- Required Illumination: 0.5 Lux
- Viewing Angle: 150°(H), 85°(V), 180°(D)
- Installed Weight: Approx. 200 Grams
- Video Output: 1-1.3 Vp-p / 75Ω
- Length of Cable: 300 ± 50mm
- Overall Dimensions: 59.5mm (H) x Ø 76mm (D)
- Housing Material: Aluminium Alloy
- Camera View: Configurable - Mirror/Normal
- Finish: Black Anodized

Features:

- Dome Camera with 150° adjustment range in all directions
- Available in CVBS or AHD 1.0 (720p) signal format
- High quality ON-Semiconductor image sensor
- High quality Nextchip image signal processor
- Suitable for inside and outside applications
- Automatic White Balance
- Back Light Compensation
- Fixed IRIS
- VBV Type Female Connector

Package Contents:

- 1 x MD-XX-C - Camera only
 - 1 x MD-50(SW) - C for CVBS (PAL)
 - 1 x MD-51(SW) - C for CVBS (NTSC)
 - 1 x MD-60(SW) - C for AHD 1.0 (720p-25fps)
 - 1 x MD-61(SW) - C for AHD 1.0 (720p-30fps)
- 1 x MD-XX-SR - Securing Ring
- 1 x MD-XX-RR - Retaining Ring
- 1 x MD-XX-DOME - Plastic Dome
- 1 x MD-XX-FIX - Fixing Kit
- 1 x MD-XX (XX)-IG - Installation Guide